



Bidirectional,
electromechanical
tripod turnstile

Twister

Easy, functional passage selection

CAME's new Twister turnstile is designed for passage selection in high-traffic areas. Its stainless steel construction makes it ideal for marine, subway and railway stations; plus sports facilities areas and wherever people flows need to be regulated, while optimising entrance and exit operations.



CAME
AUTOMATIC GATES

Twister

Came's new pedestrian entrance turnstile

Twister is Came's durable and functional solution suitable for any transit selection, control and requirements. Installable anywhere, even in high-volume flow settings such as stadiums, subway stations, public buildings and sports facilities. Managed by a built-in control board, Twister is perfectly compatible with Came's RBM84 or RBM21 evolved access control systems.



The outer structure.
Made of AISI304 scotch-brite finished stainless steel with a removable cover and key lock.

The tripod arm.
Made of AISI304 polished, stainless steel.

The inner mechanism.
Equipped with an adjustable hydraulic cushion, control logic, and an automatic release function for the tripod during blackouts.

The selective, bi-directional movement.
It lets you choose the entrance direction in the following way: ENTRANCE, EXIT or only ENTRANCE / EXIT.

The lateral casings.
Made of AISI304 stainless steel, they are removable for easy installation and wiring purposes.

Designed to take additional command sensors.
To integrate the access control system (optional).

The functions

The built-in control board manages one turnstile and provides the following functions:

> ENTRANCE and EXIT commands

They clear the entrance for user passage – the tripod automatically blocks itself after passage, or reset timed closing, with lack of passage.

> BLOCK command

It overrides entrance and exit commands.

> The EMERGENCY COMMAND

It overrides all other commands, including the block command. (i.e. opening during emergencies)

> Integration with access

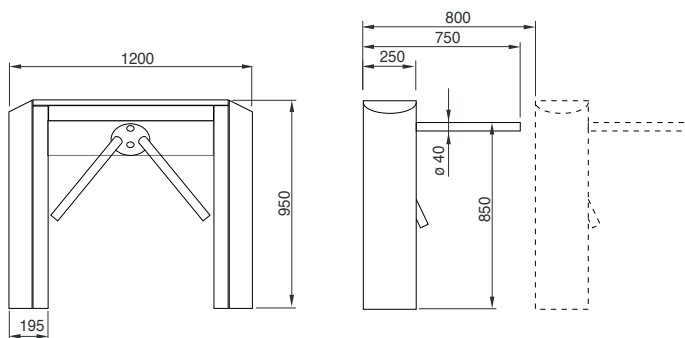
control systems CAME's RBM21 and RBM84 access control systems, can be fully integrated with our Twister turnstile, yielding a complete transit control system.

The range

PSBPS07 24V D.C. bidirectional mechanical turnstile made of AISI 304 stainless steel with scotch-brite finish, complete with control board and hydraulic damper. Automatic tripod release in case of blackouts.

PST001 24V D.C. bidirectional selective electromechanical turnstile made of AISI 304 stainless steel with scotch-brite finish. Complete with transponder sensor and tripod release in case of blackouts.

Dimensions



Technical features

Type	PST001	PSBPS07
Power supply (V)	230 AC	230 AC
Electroblocker power supply (V)	24 DC	24 DC
Protection rating	IP44	IP44
Current draw (mA)	260 max	260 max
Weight (Kg/lb)	60/132.27	60/132.27
Operating temperature (°C/°F)	-20 - +55 / -4 - +131	

● 230 V AC

PRODUCTS



Made in Italy



Came
cancelli automatici
S.p.A.

via Martiri della Libertà, 15
31030 Dossan di Casier - Treviso - Italy

www.came.com - info@came.it

